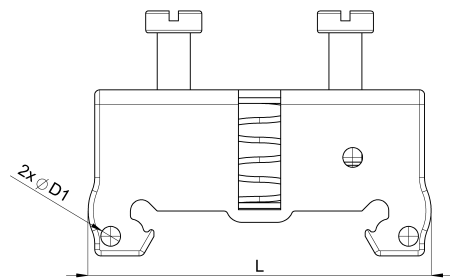
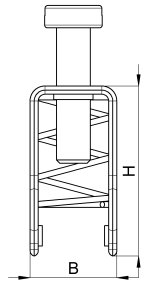
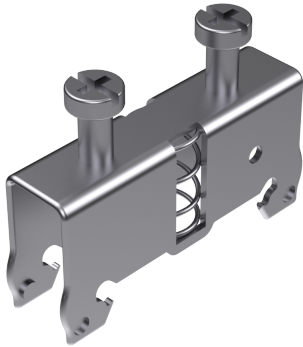


Technical data sheet

Busbar support 1092-001C / SH

(Status as of 04/04/2024)



Design features

Dimensions (L / B / H) (mm)	52 x 12.8 x 25.1
Hole diameter (D1 / D2) (mm)	3, 3
Weight (kg)	0,030

Order designation

Busbar support

Designation	Order No.	Description	PU
SH	1092-001C	Busbar support	PU = 10 pcs.