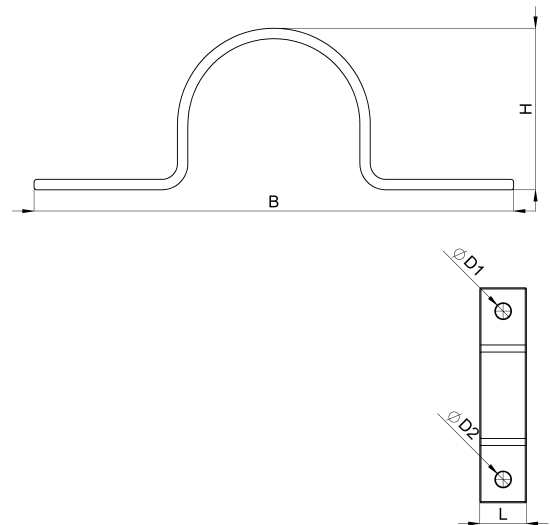


Technical data sheet

1044-039F / ESD 33

(Status as of 26/06/2024)



Design features

Dimensions (L / B / H) (mm)	20 x 92 x 31
Shield diameter min/max (mm)	31 / 33
Hole diameter (D1 / D2) (mm)	6.6, 6.6
Mounting holes	M6 / M6
Weight (kg)	0,038
Part	mounting bracket
Material	galvanized steel
Mounting type	screw mounting

Order designation

Designation	Order No.	Description	PU
ESD 33	1044-039F	Earthing clamp with 2 lugs, clamping range 31.0 - 33.0mm, galvanised steel	PU = 100 pcs.