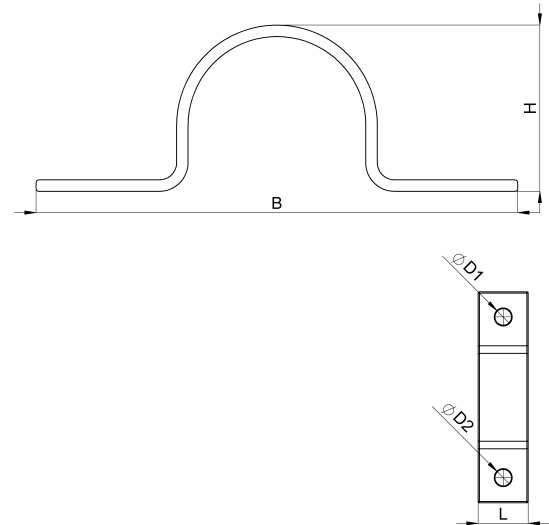


## Technical data sheet

1044-038F / ESD 31

(Status as of 26/06/2024)



### Design features

Dimensions (L / B / H) (mm)	20 x 84 x 29
Shield diameter min/max (mm)	28.5 / 31
Hole diameter (D1 / D2) (mm)	6.6, 6.6
Mounting holes	M6 / M6
Weight (kg)	0,035
Part	mounting bracket
Material	galvanized steel
Mounting type	screw mounting

## Order designation

Designation	Order No.	Description	PU
ESD 31	1044-038F	Earthing clamp with 2 lugs, clamping range 28.5 - 31.0mm, galvanised steel	PU = 100 pcs.