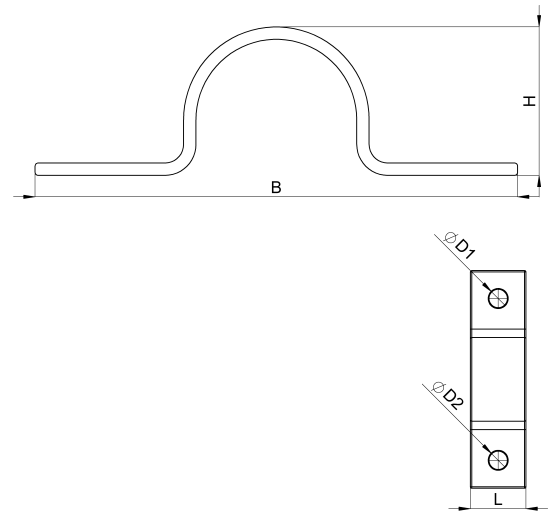


## Technical data sheet

1044-036F / ESD 26

(Status as of 26/06/2024)



### Design features

Dimensions (L / B / H) (mm)	20 x 78 x 24
Shield diameter min/max (mm)	23 / 26
Hole diameter (D1 / D2) (mm)	6.6, 6.6
Mounting holes	M6 / M6
Weight (kg)	0,031
Part	mounting bracket
Material	galvanized steel
Mounting type	screw mounting

## Order designation

Designation	Order No.	Description	PU
ESD 26	1044-036F	Earthing clamp with 2 lugs, clamping range 23.0 - 26.0mm, galvanised steel	PU = 100 pcs.