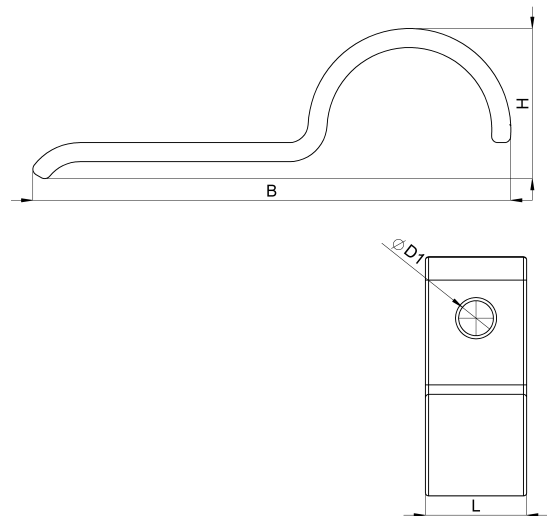
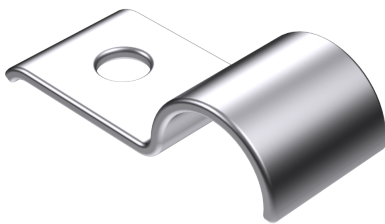


## Technical data sheet

1044-012F / ESE 13

(Status as of 26/06/2024)



### Design features

Dimensions (L / B / H) (mm)	16 x 37.7 x 11.8
Shield diameter min/max (mm)	9.5 / 13
Hole diameter D1 (mm)	6.6
Mounting hole 1	M6
Weight (kg)	0,014
Part	mounting bracket
Material	galvanized steel
Mounting type	screw mounting

## Order designation

Designation	Order No.	Description	PU
ESE 13	1044-012F	Earthing clamp with 1 lug, clamping range 9.5 - 13mm, galvanised steel	PU = 100 pcs.