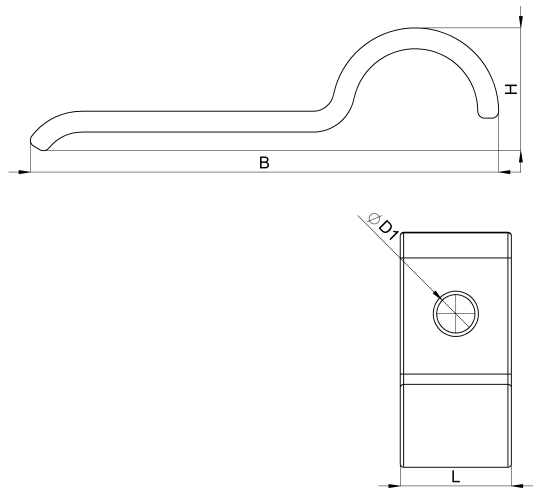


Technical data sheet

1044-011F / ESE 9

(Status as of 26/06/2024)



Design features

Dimensions (L / B / H) (mm)	16 x 33.7 x 8.8
Shield diameter min/max (mm)	7 / 9
Hole diameter D1 (mm)	5,5
Mounting hole 1	M6
Weight (kg)	0,010
Part	mounting bracket
Material	galvanized steel
Mounting type	screw mounting

Order designation

Designation	Order No.	Description	PU
ESE 9	1044-011F	Earthing clamp with 1 lug, clamping range 7.0 - 9.0mm, galvanised steel	PU = 100 pcs.